

DENTAL UNITS



| | |
|--|----|
| Planmeca dental units – created for better patient care | 4 |
| Easy access, comfortable consultation | 6 |
| Ideal ergonomics | 8 |
| Relaxed patient | 10 |
| Designed to last | 12 |
| It's all in the details..... | 14 |
| Stand out with colour | 16 |
| Infection control is a top priority..... | 18 |
| Intelligent tools for improving clinic performance | 20 |
| Choose your best companion | 22 |
| Planmeca Compact™ i5 | 24 |
| Planmeca Compact™ i Classic..... | 26 |
| Planmeca Compact™ i3 | 28 |
| Planmeca Pro50™ Chair..... | 30 |
| Technical specifications | 32 |

Exceptional quality and ergonomic design

An introduction from our President



"It's my pleasure to introduce you to our exceptional range of dental care units – combining the very best in ergonomics with outstanding patient comfort. I'm really proud of our product innovations, and for already half a century we've worked closely with dental professionals to create pioneering dental units that set new standards in our field.

What makes us a bit different is that all core product development and manufacturing takes place in Finland – ensuring unmatched quality and attention to detail at every stage of the process. Our goal is to make your work safer and more pleasant, while providing your patients with the best possible treatment experience.

And we have a dedicated team of R&D professionals behind the scenes, all focused on making the highest quality products to suit your clinical needs. Therefore I'm thrilled to invite you to discover our advanced dental care units and find the perfect one for you."

Heikki Kyösti
 President and founder
 Planmeca Group

Planmeca dental units – created for better patient care

Renowned for their beauty, durability and technical cleverness, Planmeca's dental units are designed with both the dental team and the patient in mind. Our product development is always guided by four core values: ergonomics, safety, comfort and aesthetics. By adhering to these values in everything we do, we have been able to create solutions that let dentists concentrate on providing the best patient care while technology takes care of the rest. We welcome you to explore the exceptional qualities that are a common denominator in all of our dental units.



Easy access, comfortable consultation

Our dental units offer easy access for patients of all sizes and ages and provide comfortable positions for pre- and post-treatment discussions.



Easy entry/exit

The foldable legrest makes it easy to enter and exit the chair – especially important for the elderly and physically challenged patients. To further support patient entry and exit, the chair can be equipped with rotating armrests.

Face-to-face consultation

Our dental units allow you to hold your initial discussion with the patient in a comfortable sitting position, while maintaining eye contact. This helps to create a relaxed atmosphere and build trust. Distractions, such as the instrument console, are kept outside of the patient's direct line of sights.

Ideal ergonomics

We work closely with dental professionals in order to find the best ways to ensure maximum comfort and a smooth workflow. Our dental units allow you to work either two- or four-handedly – always supporting good ergonomics and making your work easier and more efficient.

Supporting an ergonomic workflow

Our dental units have been designed to make everyday work smoother and less stressful. The floating chair with a narrowing backrest and the small cuspidor base enable perfect access to the treatment area, allowing you to maintain an ergonomic working position throughout the day without unnecessary movement or strain. The smooth and wide delivery arm movements let you choose your preferred working position, while the ideally balanced instrument arms guarantee an ergonomic use of instruments, since only small movements are needed to use them. This minimises the strain on your arm, wrist and shoulder.

The working position of your choice – perfect adaptability

- Ideal for both two-handed and four-handed dentistry
- Adapts to all positions between 7 and 3 o'clock
- Enables working in a sitting or standing position



Relaxed patient

Our exceptional innovations make treatment sessions more comfortable and relaxing for your patients – making your work easier. With accurate positioning and support, our dental units help you focus on providing high-quality clinical treatment.

Designed for
comfort

Ergonomically designed chair

The dental chair design follows the shape of the patient's body and provides firm and comfortable support. Our dental units can also be fitted with armrests to provide additional patient support.

Unbeatable patient comfort

Planmeca's **Ultra Relax™** upholstery responds to patient weight and body heat for superior patient comfort. This is especially appreciated in longer treatment sessions. A comfortably positioned patient is more relaxed, allowing you to focus on the clinical treatment.

Designed to last

Our strong commitment to R&D guides everything we do. We are passionate about design and always prioritise comfort, safety and ease of use over everything else – and we do so without compromise. Our industry-leading dental units are practical, functional and beautifully designed.

**Solid, durable
and recyclable
aluminium**

Lightweight design

All Planmeca dental units have our distinctive clean and simple design. With plenty of space on every side, our highly compact units allow the dental team to work freely and comfortably in their preferred position.

Glossy surfaces, excellent durability

We use aluminium parts and an epoxy paint finish in our dental units for ultimate durability. Their seamless, powder-coated surfaces meet the strictest infection control requirements.

Perfect modularity

All of our units have been designed with the future in mind. That's why it's easy to upgrade our units with the latest features and innovations in dentistry.

Award-winning design

Our aim is to create durable and beautifully designed products that stand the test of time – with unmatched attention to detail. Each product we build is of the highest quality, helping convey a professional image in your dental clinic and building patient trust.



reddot winner 2020

FENNIAPRIZE 20
HONOURABLE MENTION



reddot award 2016
winner

It's all in the details

Extensive light field

The Planmecca Solanna® operating light provides excellent visibility to every corner of the treatment area.

Easy patient documentation

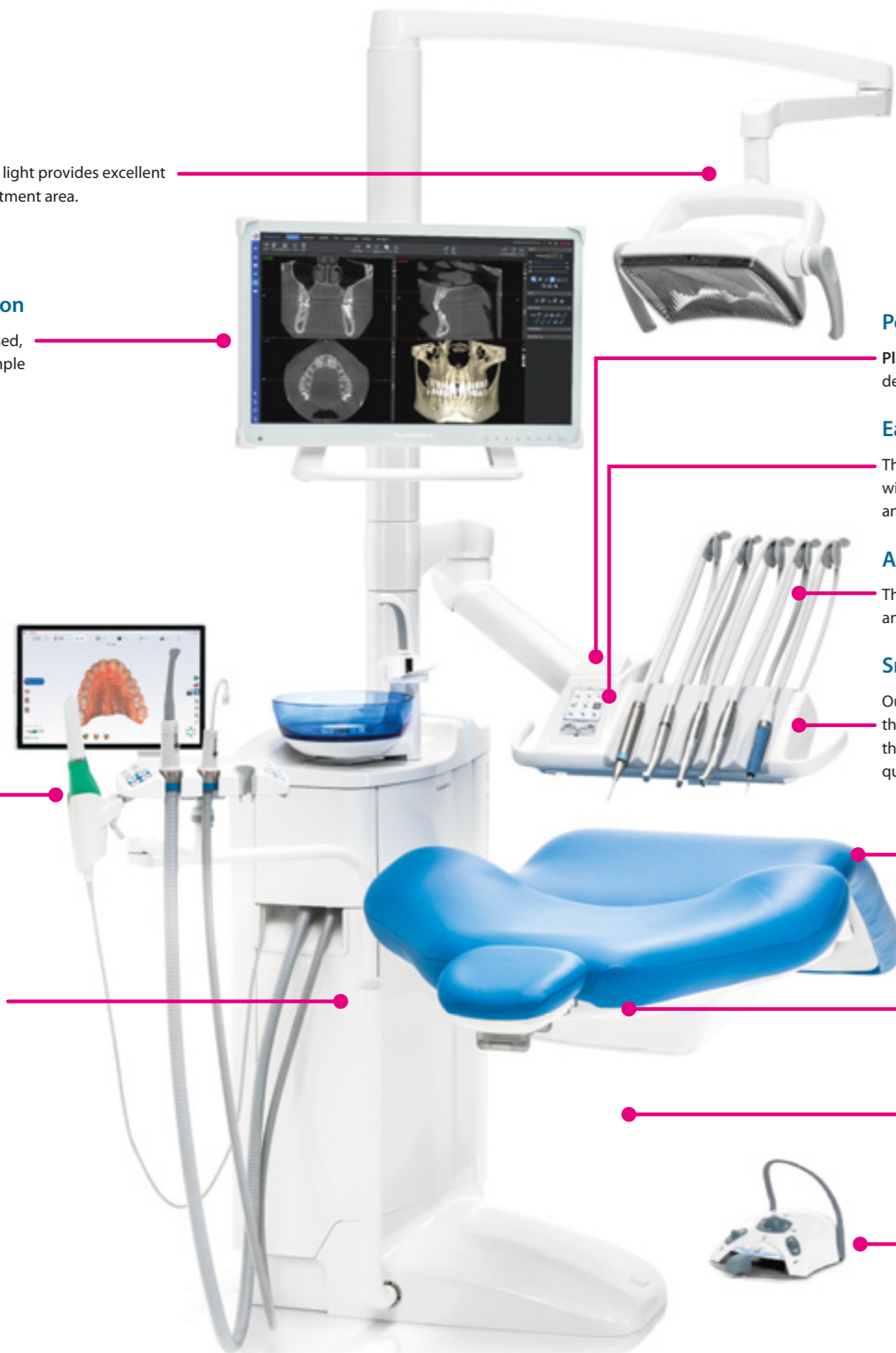
All clinical data can be easily accessed, making patient documentation simple and straightforward.

Intraoral scanner – just like any other instrument

The fast and lightweight Planmecca Emerald® S intraoral scanner can be used, shared and operated with a foot control just like any other instrument. For an ergonomic workflow, the scanning data can be instantly viewed on your chairside screen.

Comfortable working positions

The wide height adjustment range allows you to work comfortably in a standing position, while the very low chair position also makes it possible to treat patients who are semi-reclined.



Personal settings easily available

Planmecca PlanID™ allows access to personal settings on any dental unit at a clinic with a simple flash of a card.

Ease of use – just plug and play

The intuitive touch panel is straightforward and easy to use with customisable dental unit functions, treatment position and instrument settings.

A comfortable grip and minimised strain

The world-class instrument arms offer optimal balance and support ergonomic instrument use.

Smartly designed instrument console

Our effortless console positioning allows instruments to be placed at the optimal ergonomic position. The console can also be moved to the assistant side for a smooth and efficient workflow. Instruments with quick connectors are interchangeable by user.

Foldable legrest

The automatic legrest makes it easy for patients to enter and exit the chair, ensuring a smooth workflow. It also provides excellent patient comfort and is practical for doctor-patient consultations and prosthodontic treatments.

Unrestricted operator access

The narrow top of the backrest allows the dental team to get as close as possible to the treatment area.

Extensive legroom

The floating chair and small cuspidor base maximise legroom for both dentist and assistant – allowing the whole team to get as close as possible to the patient.

Wireless foot control

The foot control can be positioned freely and used to carry out all the necessary functions. You can also use the foot control to operate Planmecca's intraoral scanners.

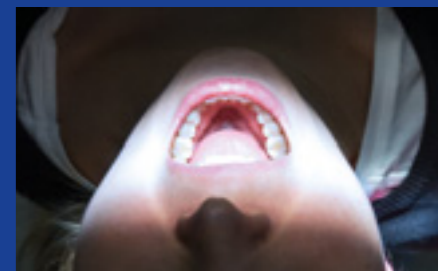


Planmecca operating lights

In dental care every detail matters, and that is why the operating light is an essential working tool. Our operating lights offer superior lighting, great ergonomics, hygienic and hands-free operation as well as many smart functions ensuring a smooth workflow.

Planmecca Solanna®

Perfect visibility over the entire treatment area – with the brightness and colour temperature of your choice.



Planmecca Solanna® Vision

An intelligent light with integrated 4K cameras and microphones that allows you to take both still images and videos easily. A great tool for documentation, consultation and communication.



Not all features are available for all dental unit models. Please see the comparison table on page 32 for further details.

Stand out with colour

Complement the splendid design of your dental unit by giving it a personal touch with your favourite colours. Select the perfect one from our inspiring collection and create the look of your dreams!

High-quality upholsteries for enduring comfort

The **Comfy™** upholstery is made of durable artificial leather. The thin shape ensures excellent reach to the treatment area and the seamless design allows easy upkeep and enhanced infection control.

Made of extremely durable artificial leather and viscoelastic memory foam, the **Ultra Relax™** upholstery adapts perfectly to patient's body shape, allowing them to stay relaxed even during the longest treatment sessions.

Beautiful and bright colours

Both Comfy and Ultra Relax upholsteries come in a wide range of stylish colours.



| | | |
|-----------------|---------------|---------|
| Fuchsia | Ultra Relax ✓ | Comfy ✓ |
| Cassis | Ultra Relax ✓ | |
| Purple | Ultra Relax ✓ | Comfy ✓ |
| Red | Ultra Relax ✓ | Comfy ✓ |
| Carnival | Ultra Relax ✓ | |
| Sun | Ultra Relax ✓ | |
| Lime | Ultra Relax ✓ | Comfy ✓ |
| Green Bean | Ultra Relax ✓ | |
| Metallic Pine | Ultra Relax ✓ | |
| Petrol | Ultra Relax ✓ | Comfy ✓ |
| Sky | Ultra Relax ✓ | Comfy ✓ |
| Azure | Ultra Relax ✓ | Comfy ✓ |
| Steel Blue | | Comfy ✓ |
| Deep Sea Blue | | Comfy ✓ |
| Metallic Blue | Ultra Relax ✓ | |
| Baltic | Ultra Relax ✓ | |
| Dark Blue | | Comfy ✓ |
| Diplomat Blue | Ultra Relax ✓ | |
| Hazel | | Comfy ✓ |
| Walnut | Ultra Relax ✓ | |
| Coffee | | Comfy ✓ |
| Metallic Gold | Ultra Relax ✓ | |
| Metallic Sand | Ultra Relax ✓ | |
| Metallic Silver | Ultra Relax ✓ | |
| Urban Grey | | Comfy ✓ |
| Graphite | Ultra Relax ✓ | Comfy ✓ |
| Black | Ultra Relax ✓ | Comfy ✓ |



Infection control is a top priority

Infection control and clean water have always been essential elements in our product design and development. Years of close collaboration with leading dental universities in the field of microbiology have resulted in comprehensive and scientifically proven solutions for both external and internal dental unit infection control.



Effortless use

External infection control made easy

The smooth, uniform surfaces of our dental units make cleaning easy, ensuring impeccable external infection control. The metal surfaces are extremely durable and resistant to cleaning agents. All critical components can also be autoclaved, and the bowl can be detached for easy cleaning.

Clean water – always

Our water treatment solutions guarantee that all water entering the patient's mouth is always clean, ensuring a safe environment for both the patients and the dental team.

Superior results for cleaner suction tubes

We have designed an innovative system for cleaning suction tubes and filters. The **Planmecca Suction Tube Cleaning System (STCS)** significantly simplifies and automates the disinfection process of dental units – ensuring a safe treatment environment and a cleaner suction system overall.

The efficiency of the Planmecca STCS has been established in an independent study* conducted at the Dublin Dental University Hospital.

* Boyle MA, O'Donnell MJ, Russell RJ, Galvin N, Swan J, Coleman DC. Overcoming the problem of residual microbial contamination in dental suction units left by conventional disinfection using novel single component suction handpieces in combination with automated flood disinfection. Journal of Dentistry. 2015; 43(10):1268-1279. doi: 10.1016/j.jdent.2015.07.018. PMID: 26248229.

Intelligent tools for improving clinic performance

The rapidly changing world of dentistry sets new demands for dental clinics, especially when it comes to increasing efficiency and improving quality assurance practices. That is why we have come up with intelligent digital tools that will help you take the efficiency and predictability of your clinic operations to the next level.

Efficiency through information

Even small dental clinics generate large quantities of data every day. Planmeca's digital dental equipment can be easily connected to a network – generating valuable data that can be used to increase efficiency and improve quality assurance.

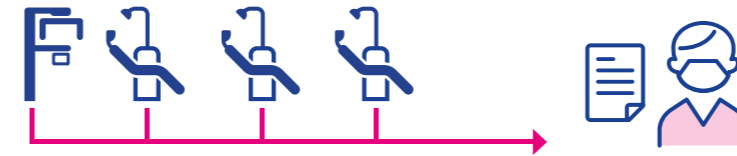
With our intelligent software solutions, clinics can track and follow their patient flow, optimise their capacity through real-time information, and monitor the use of their digital equipment. Both single clinics and dental chains can improve their operative planning by basing their evaluations on easy-to-read usage statistics.

Efficiency with adaptable equipment

Planmeca PlanID™ is a unique sign-in system that allows convenient access to personal dental unit settings with a fast flash of a card. With dental units that adapt to the needs of different users instantly, the use of equipment and treatment facilities becomes much more flexible – significantly improving overall efficiency. Detailed user information also helps improve quality assurance.



INDIVIDUAL CLINICS



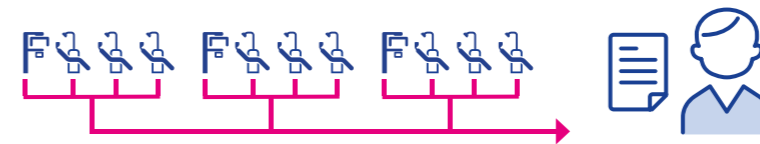
Networked Planmeca equipment

- All data in the clinic database and/or in a cloud database

Clinic staff

- Access to personal settings on any dental unit
- Real-time monitoring of clinic operations (unit status, occupancy, users)
- Device and clinic reports

CLINIC CHAINS



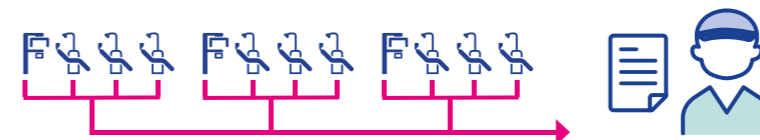
Networked clinics

- All data in a cloud database

Clinic chain manager

- Business planning based on data and statistics
- Equipment monitoring from anywhere over the internet – also using mobile devices
- Trends, changes and utilisation rates at all clinic sites or at a single clinic
- Improved risk management with remote monitoring of performed infection control cycles
- Device, clinic and clinic chain reports

MAINTENANCE



Networked clinics

- All data in a cloud database

Service technician

- Secure access to equipment information – also on mobile devices
- Maintenance planning and scheduling based on equipment information.
- Automatic help, service and annual maintenance notifications

Choose your best companion

Our trailblazing dental unit and patient chair range already has tens of thousands of happy users around the world, and it is continuously evolving to meet the needs of all types of dental clinics and specialties. Our product line includes four options for you to choose from, each of them designed to offer the best ergonomics for the dental team and the most enjoyable treatment experience for patients of all sizes and ages.

"When you work with a great dental unit, you don't even need to pay attention to it as it lets you concentrate on your work. Unnoticeable in a good way – that's what Planmeca's dental units are."

Dr Johanna Kukila
Finland



Which one is right for you?

Planmeca Compact™ i5

Sleek and elegant, Planmeca Compact™ i5 represents the latest step in the evolution of dental units. Combining revolutionary technology with luxurious design, it caters even to the most demanding needs. This is the dental unit everyone dreams of.

Planmeca Compact™ i Classic

The modern classic of dentistry – a functional choice offering all the features you need for a smooth and comfortable workflow.

Planmeca Compact™ i3

Our smallest unit, a true space-saver, which allows both right- and left-handed dental professionals to work comfortably in any position.

Planmeca Pro50™ Chair

Our sturdy yet elegant patient chair combines functionality, flexibility and ultimate patient comfort.



Planmeca Compact™ i5



Planmeca Compact™ i Classic



Planmeca Compact™ i3



Planmeca Pro50™ Chair

Planmeca Compact™ i5

Designed to last – made to perform

The sleek and elegant **Planmeca Compact™ i5** has been designed based on several decades of research and experience. Combining revolutionary technology with luxurious design details, this intelligent unit caters even to the most demanding needs. Lightweight yet powerful, it is the dental unit everyone dreams of.

The smoothest possible workflow

Planmeca Compact™ i5 has been designed to offer the smoothest possible workflow for the entire dental team. Its lightweight design and smooth movements help you to maintain an ergonomic working position throughout the day. Everything is within easy reach, making everyday work effortless and enjoyable.

Faster routines for a faster patient flow

In **Planmeca Compact i5**, all essential infection control functions are integrated and neatly organised in their own compartments. The cleaning procedures are automated, and the LED indicator on the dental unit informs about their status. These functions help to speed up infection control, which in turn means a faster patient flow and improved quality assurance. **Planmeca Compact i5** is the perfect answer to the growing demands of today's dentistry.

Five generations of continuous improvement

Our **Planmeca Compact™ i** dental unit range has tens of thousands of users around the world. They have provided us with continuous and valuable feedback, which has enabled us to refine our dental unit so that it caters to the needs of today's and tomorrow's dental professionals. **Planmeca Compact i5** is the culmination of five generations of continuous improvement.



*"One of the reasons I chose **Planmeca Compact™ i5** was its beautiful design. Most dental units are big and heavy, whereas mine looks very modern and slim – even though it is robust and stable."*

Dr Thomas Rosner
Switzerland



THE WAY YOU WANT IT

There are as many working preferences as there are dental care professionals. **Planmeca Compact i5** offers several delivery systems and a wide instrument range for you to choose from to meet your specific needs and requirements.

- 1 Over-the-patient delivery arm 520 mm with balanced instruments
- 2 Over-the-patient delivery arm 340 mm with balanced instruments
- 3 Over-the-patient delivery arm with hanging tube instruments
- 4 Side delivery with hanging tube instruments
- 5 Cart delivery with hanging tube instruments
- 6 Independent cart with hanging tube instruments



Planmeca Compact™ i Classic

The modern classic of dentistry

Planmeca Compact™ i Classic is the modern classic of our dental unit range – a functional choice offering all the features and instruments you need for a smooth workflow. Built for comfort and ease of use, it combines the best benefits of our ergonomic and practical design solutions.

Easy to learn, easy to use

Planmeca Compact™ i Classic has been designed for a smooth workflow and superior ease of use. Just like all our dental units, it is equipped with a simple and intuitive touch panel that guides you in your preferred language and lets you adjust all essential unit, instrument and infection control functions. The dental unit and instruments can also be operated directly from the foot control, leaving your hands free for patient treatment.

Ergonomic instrument use

Planmeca Compact i Classic can be equipped with the same comprehensive instrument range as all our dental units. The unit's balanced instrument arms guarantee an ergonomic workflow, since only small movements are needed to use the instruments. This minimises the strain on your arm, wrist and shoulder. The dental unit can also be equipped with hanging tube instruments. The freely interchangeable instruments and easy console movements allow the unit to be swiftly tailored to meet personal preferences.

"Patients often say that they would like to have the dental unit's chair in their living room. Sometimes they even fall asleep on them – I'm not joking!"

Lukáš Kocman
Clinic manager and owner
Czech Republic



A relaxing treatment experience for the patient

Planmeca Compact i Classic always supports a relaxing treatment experience – even through longer visits. The chair design follows the shape of the patient's body and provides firm and comfortable support, while the double-articulated headrest allows comfortable positioning of the patient's head. Armrests can be fitted for additional support. The **Ultra Relax™** upholstery, made of durable artificial leather and viscoelastic memory foam, guarantees extra comfort.



Planmeca Compact™ i3

Small, swift and clever

We believe that great ergonomics, a smooth workflow and ease of use should be a necessity, not a luxury. The small, swift and clever **Planmeca Compact™ i3** dental unit is a smart choice for any dentist looking for a space-saving solution. The flexible movement range of the unit's delivery arm allows both right- and left-handed dental professionals to work comfortably in any position.

Simplicity without sacrificing efficiency

Planmeca Compact™ i3 has been designed to simplify everyday dentistry. Easy to learn and easy to use, it is equipped with an intuitive touch panel that guides you in your preferred language. Thanks to the simplicity of the unit's design, external infection control procedures are also easy to perform. The unit can be customised to individual preferences and upgraded with the features of your choice, such as an integrated intraoral scanner.

From right- to left-hand use in 10 seconds

Planmeca Compact i3 can be switched from right- to left-hand use in just 10 seconds simply by moving the instrument console – without having to move the operating light. This makes it a practical solution for all clinics where several dentists use the same dental unit and space is limited.



Choose your favourite delivery option



A swift and space-saving solution

Planmeca Compact i3 is a truly flexible dental care unit that fits into any clinic layout. Due to its slim design and narrow backrest, the unit offers plenty of working space around it, allowing your team to work comfortably whether sitting or standing. The small instrument console can be positioned above the patient, making it easier to maintain an ergonomic position throughout the day. The unit's swivel function can be used to make fine adjustments according to your preferences.

A practical choice especially for large clinics with several users

The unique **Planmeca PlanID™** sign-in system allows dentists to access their personal settings instantly on any dental unit with a simple flash of a card. This helps clinics maximise their resources and utilise their equipment flexibly, since units no longer need to be assigned to specific users. All usage information is stored in the **Planmeca Romexis®** software – this way, large clinics and chains can benefit from knowing when, how and by whom the unit has been used.

A truly flexible dental unit

- From right to left in 10 seconds
- Wide delivery arm movement range
- Plenty of working space on every side
- Comfortable working positions from 7 o'clock to 3 o'clock
- Swivel function for fine adjustments



Ideal for both two- and four-handed dentistry



"Planmeca Compact™ i3 is ergonomic, comfortable and simple to use with a large movement range. Since I have had shoulder issues in the past, I was looking for a unit with over-the-patient delivery, and Planmeca had the best solution for me. I like the beauty and simplicity of the design. The right to left hand conversion is also very practical."

Dr Esther Azoulay
France

Planmeca Pro50™ Chair

The patient chair for premium comfort

Planmeca Pro50™ Chair is a great combination of functionality, flexibility and future-proof details, all wrapped up in a beautiful, timeless design. It is an ideal option for those looking for a sturdy yet lightweight patient chair – offering ultimate comfort for both the dental team and patients. Have a seat!

Silent and sturdy

Planmeca Pro50™ Chair is a modern and timeless patient chair featuring all the lightweight and beautiful design details that Planmeca products are known for. The medical grade motors inside the chair make its movements smooth and silent, ensuring a quiet working environment for the dental team and a relaxing treatment experience for the patient. The chair is built from durable aluminium and its upholstery comes in a wide range of fun and appealing colours.

First-class ergonomics

Planmeca Pro50 Chair offers a wide height range – the patient seat height can be varied between 390 mm and 890 mm. This makes the chair suitable for different users and working styles, allowing dental professionals of all sizes to work sitting (on a regular stool or on a saddle stool) or standing. The small chair base leaves plenty of room for two pairs of legs as well as the foot control and other devices. The additional space, combined with the chair's slim and narrow backrest, allows the dental team to get close to the patient – always in the most ergonomic working position.

A smooth and flexible workflow

For those working with a 12 o'clock cabinet or tray, the chair's unique lifting mechanism ensures that the distance from the headrest to the cabinet remains the same at every height and the operating light doesn't need to be readjusted as the chair height changes. What's more, the chair has an optional mobile base, making it easy to move to a new treatment room when necessary.



Premium patient comfort

Planmeca Pro50 Chair has a folding legrest that provides easy entry and exit and facilitates face-to-face positioning – a feature that is greatly appreciated in doctor-patient consultations. As patients come in different shapes and sizes, the maximum patient weight for the chair is 185 kg. The **Ultra Relax™** upholstery adapts perfectly to the patient's body shape – allowing them to stay relaxed even during the longest treatment sessions.

From Finland

All Planmeca products are designed and crafted in our own factory in Finland, using the latest technology and the best materials. With decades of experience in dental chair design and manufacturing, we listen closely to customer feedback to continually enhance and refine our products, which are always manufactured under fair working conditions.

Technical specifications

Technical data

| | Planmeca Compact i5 | Planmeca Compact i Classic | Planmeca Compact i3 | Planmeca Pro50 Chair |
|----------------------|-------------------------------|-------------------------------|-------------------------------|---|
| Power requirements | 100 VAC, 115 VAC, 220–240 VAC | 100 VAC, 115 VAC, 220–240 VAC | 100 VAC, 115 VAC, 220–240 VAC | 115 – 240 VAC |
| Mains frequency | 50/60 Hz | 50/60 Hz | 50/60 Hz | 50/60 Hz |
| Water inlet pressure | 300–900 kPa (43–130 psi) | 300–900 kPa (43–130 psi) | 300–900 kPa (43–130 psi) | - |
| Air inlet pressure | 550–900 kPa (80–130 psi) | 550–900 kPa (80–130 psi) | 550–900 kPa (80–130 psi) | - |
| Weight | 160 kg (353 lbs) | 130 kg (287 lbs) | 130 kg (287 lbs) | 88 kg (194 lbs) |
| Mounting | To be fixed to the floor | To be fixed to the floor | To be fixed to the floor | To be fixed to the floor Mobile version as an option |
| Frame | Cast aluminium alloy | Cast aluminium alloy | Cast aluminium alloy | Cast aluminium alloy |
| Colour | White (RAL 9016) | White (RAL 9016) | White (RAL 9016) | White (RAL 9016) |

CE 0598 MDD Planmeca Compact i5 CE 0598 MDD Planmeca Compact i Classic CE 0598 MDD Planmeca Compact i3 CE MDD Planmeca Pro50 Chair

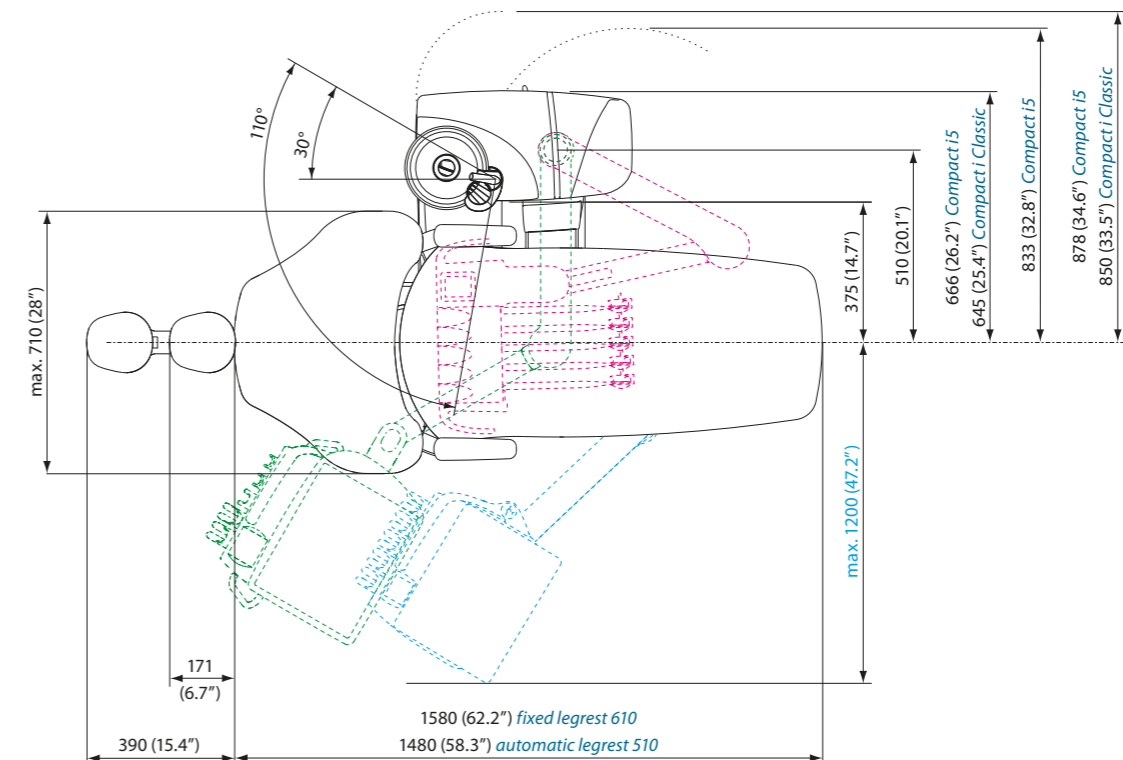
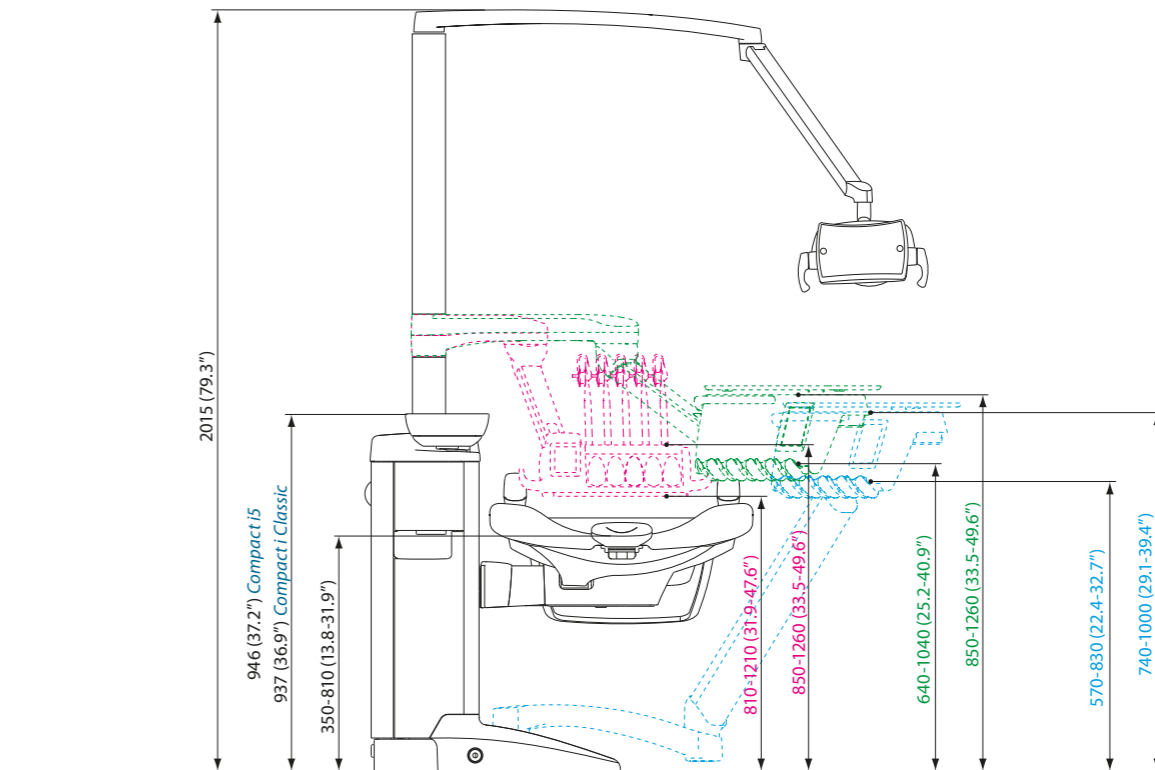
Comparison

| | Planmeca Compact i5 | Planmeca Compact i Classic | Planmeca Compact i3 | Planmeca Pro50 Chair |
|--|---------------------|----------------------------|---------------------|----------------------|
| Delivery type | | | | |
| Over-the-patient delivery arm 520 mm with balanced instruments | ✓ | ✓ | ✓ | |
| Over-the-patient delivery arm 340 mm with balanced instruments | ✓ | ✓ | ✓ | |
| Over-the-patient delivery arm with hanging tube instruments | ✓ | ✓ | ✓ | |
| Side delivery with hanging tube instruments | ✓ | | | |
| Cart delivery with hanging tube instruments | ✓ | | ✓ | |
| Independent cart with hanging tube instruments | ✓ | | | |
| Dental unit features | | | | |
| Left/right conversion | ✓ | ✓ | ✓ | |
| Floating chair | ✓ | ✓ | | |
| Floor-mounted chair | | | ✓ | ✓ |
| Automatic legrest | ✓ | ✓ | | ✓ |
| Chair swivel | | | ✓ | |
| Ultra Relax™ upholstery | ✓ | ✓ | ✓ | ✓ |
| Comfy™ upholstery | ✓ | ✓ | ✓ | ✓ |
| Bowl | ✓ | ✓ | | |
| Instruments and other options | | | | |
| 5 instrument positions | ✓ | ✓ | ✓ | |
| Free instrument positioning (excl. syringe) | ✓ | ✓ | ✓ | |
| Integrated implantology micromotor | ✓ | ✓ | ✓ | |
| Integrated endodontic micromotor | ✓ | ✓ | ✓ | |
| Integrated apex locator | ✓ | ✓ | ✓ | |
| Integrated intraoral scanner | ✓ | ✓ | ✓ | |
| Touch panel user interface | ✓ | ✓ | ✓ | |
| User profiles for multiple users | ✓ | ✓ | ✓ | |
| Wireless foot control | ✓ | ✓ | ✓ | |
| Intraoral X-ray unit integration | ✓ | ✓ | | |
| Infection control features | | | | |
| Integrated cleaning holders | ✓ | ✓ | | |
| Periodical waterline cleaning | ✓ | ✓ | ✓ | |
| Continuous water disinfection | ✓ | ✓ | ✓ | |
| Automated suction tube cleaning system (the tubes are filled completely) | ✓ | ✓ | ✓ | |
| Manual suction tube cleaning (aspiration through the tubes) | | ✓ | ✓ | |
| Integrated containers for disinfectants | ✓ | | | |
| Networking | | | | |
| Remote monitoring and diagnosing with Planmeca Romexis® Clinic Management module | ✓ | ✓ | ✓ | |

CE MDD Planmeca Emerald CE MDD Planmeca Emerald S CE MDD Planmeca Solanna CE 0598 MDD Planmeca Romexis CE 0598 MDD Planmeca ProX CE MDD Planmeca Lumo

Dimensions: Planmeca Compact i5, Planmeca Compact i Classic

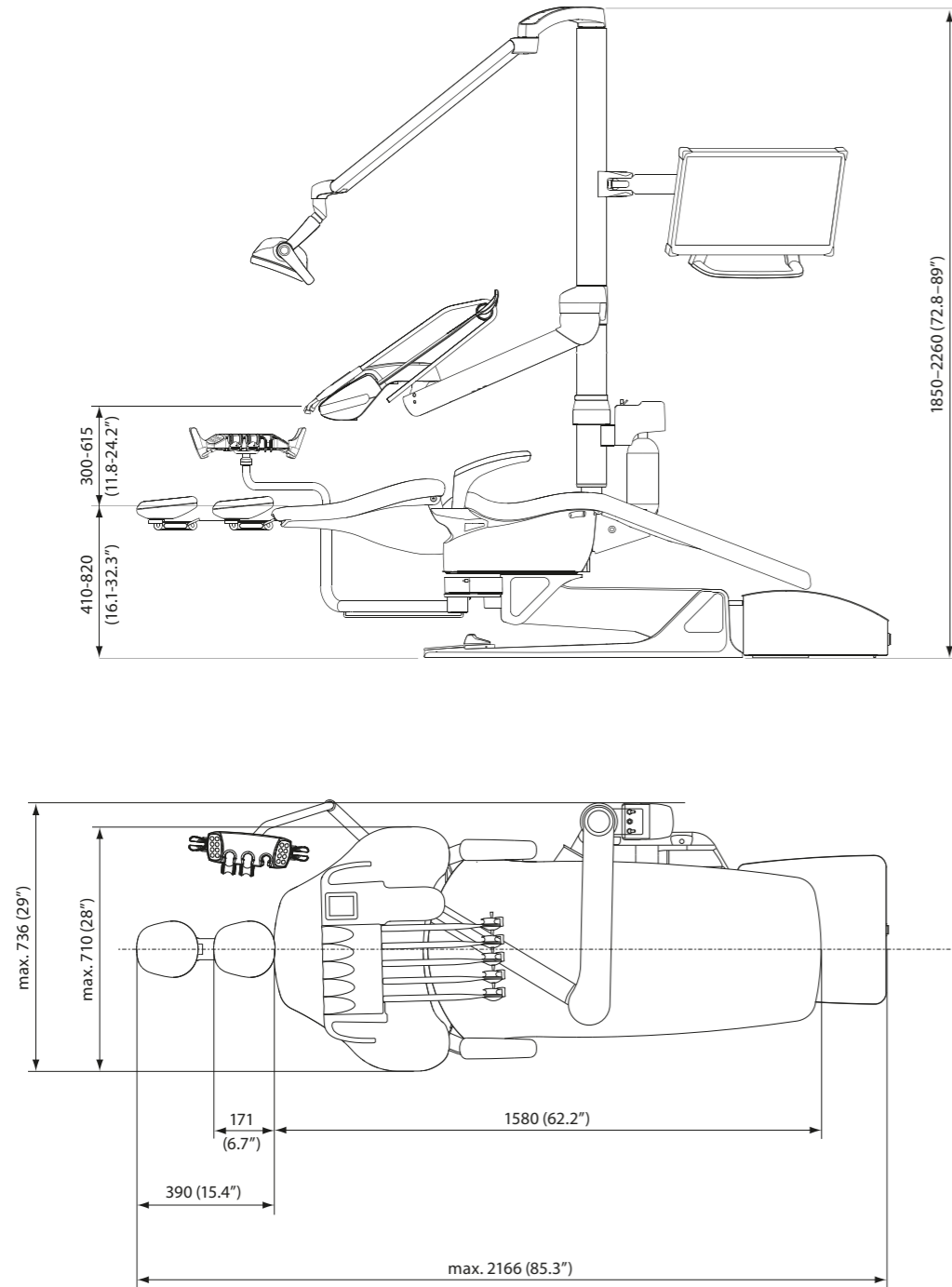
- Over-the-patient delivery arm with balanced instruments
 - Planmeca Compact i5
 - Planmeca Compact i Classic
- Over-the-patient delivery arm with hanging tube instruments
 - Planmeca Compact i5
 - Planmeca Compact i Classic
- Side delivery with hanging tube instruments
 - Planmeca Compact i5



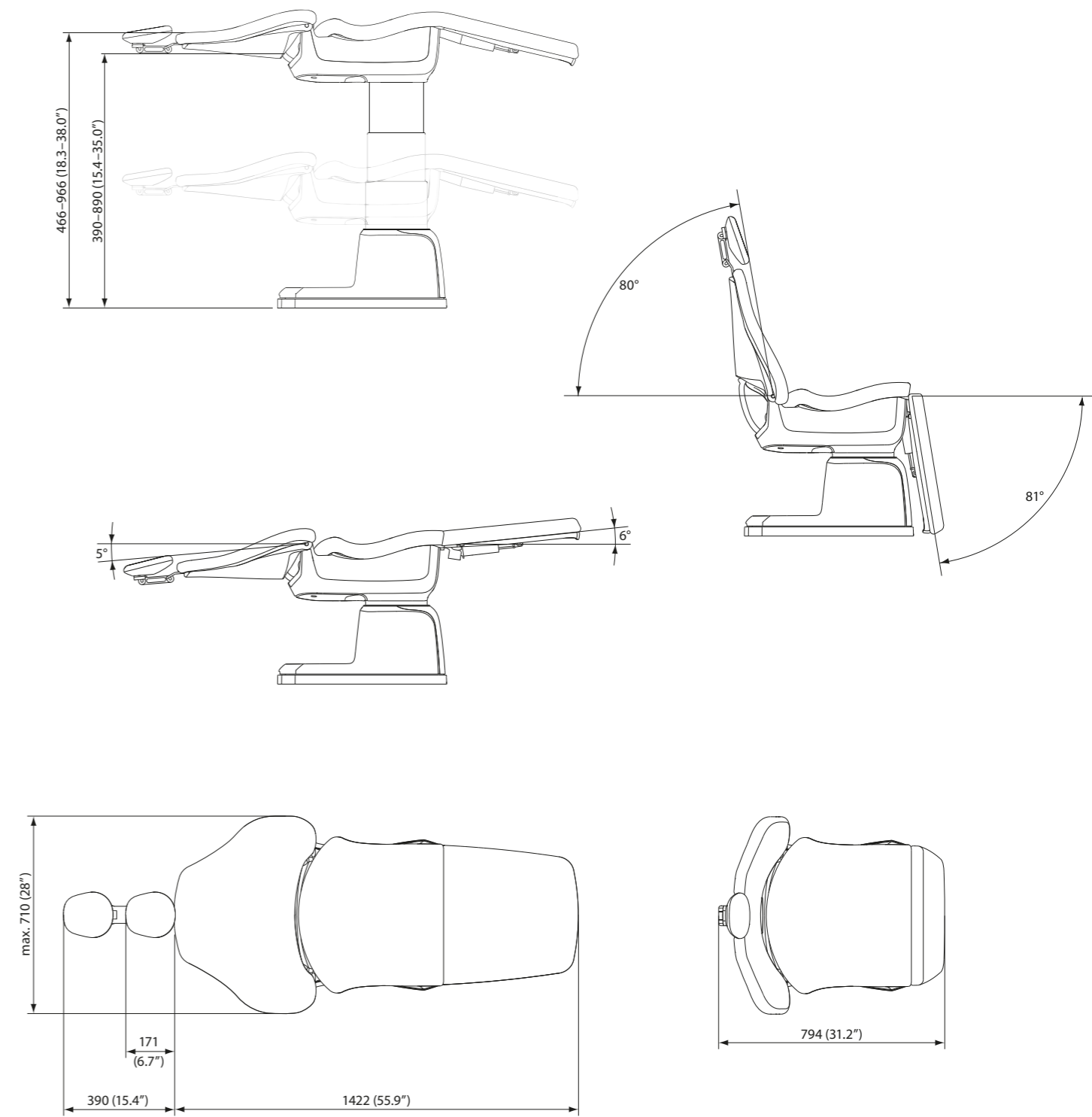
Technical specifications

Dimensions: Planmeca Compact i3

Over-the-patient delivery arm with balanced instruments



Dimensions: Planmeca Pro50 Chair





Planmeca Oy designs and manufactures a full line of industry-leading dental equipment, including 3D and 2D imaging devices, CAD/CAM solutions, dental care units and software. Planmeca Oy, the parent company of the Finnish Planmeca Group, is strongly committed to better care through innovation, and it is the largest privately held company in the field.

Follow us on social media!



PLANMECA

Asentajankatu 6 | 00880 Helsinki | Finland | tel. +358 20 7795 500 | fax +358 20 7795 555 | sales@planmeca.com | www.planmeca.com

Images may contain optional items not included in standard delivery. Available configurations and features may have country or area specific variations. Some products displayed above may not be available in all countries or areas. Rights for changes reserved.

Planmeca, All in one, Anatomat Plus, Cobra, Comfy, Digital perfection, Economat Plus, Elegant, Flexy, Perio Fresh, PlanEasyMill, Planmeca 4D, Planmeca AINO, Planmeca ARA, Planmeca CAD/CAM, Planmeca CALM, Planmeca Curiosity, Planmeca Chair, Planmeca Clarify, Planmeca Compact, Planmeca ConBo, Planmeca CORE, Planmeca Creo, Planmeca Emerald, Planmeca FIT, Planmeca Imprex, Planmeca Intra, Planmeca iRomexis, Planmeca Lumion, Planmeca Lumo, Planmeca Maximity, Planmeca Minea, Planmeca Minendo, Planmeca Minetto, Planmeca mRomexis, Planmeca Noma, Planmeca Olo, Planmeca Online, Planmeca Piezon, Planmeca PlanCAD, Planmeca PlanCAM, Planmeca PlanClear, Planmeca PlanDesk, Planmeca PlanID, Planmeca PlanMill, Planmeca Planosil, Planmeca PlanPure, Planmeca PlanScan, Planmeca PlanView, Planmeca Pro50, Planmeca ProCeph, Planmeca ProFace, Planmeca ProID, Planmeca ProMax, Planmeca ProModel, Planmeca ProOne, Planmeca ProScanner, Planmeca ProSensor, Planmeca ProX, Planmeca Romexis, Planmeca Serenus, Planmeca SingLED, Planmeca SmartGUI, Planmeca Solanna, Planmeca Sovereign, Planmeca Ultra Low Dose, Planmeca Verity, Planmeca Vision, Planmeca Viso, Planmeca Waterline Cleaning System, Planmeca Xtremity, Proline Dental Stool, ProTouch, SmartPan, SmartTouch, Trendy, and Ultra Relax are registered or non-registered trademarks of Planmeca in various countries.

10092811/0523/en